

Click here
for prices
or to buy now

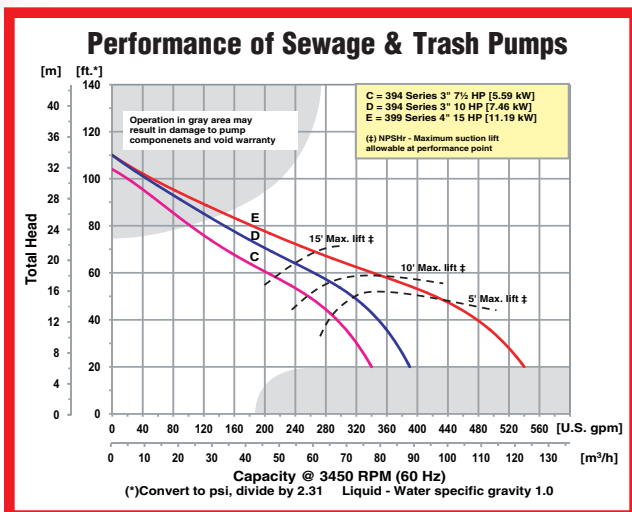
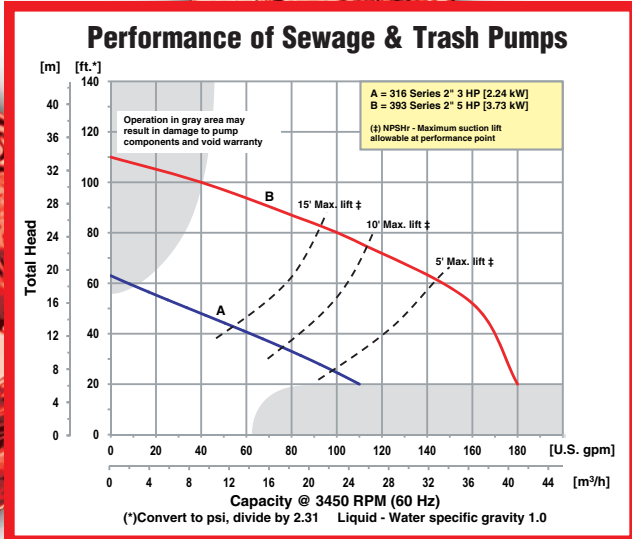


Model
316A-95

Model
394G-95

Self-Priming Cast Iron Sewage & Trash Pumps

- **Cast Iron Construction**
- **Silicon Carbide/Viton® Mechanical Seal**
- **2", 3" & 4" NPT Ports Sizes**
- **Maximum Temperature 180° F**
- **Self-Priming to 20 Ft.**
- **Stainless Steel Semi-Open, Clog Resistant Impeller**
- **Solids Handling and Dirty Water Design**
- **Buna-N Check Valve and O-Ring**
- **Removable Cast Iron Volute/Wearplate**
- **Easy Cleanout Design**
- **3" & 4" Models Feature Front Cleanout**
- **Pull-from-Rear Design**
- **Available with 3 to 15 HP Totally Enclosed Fan Cooled (TEFC) Electric Motors**



AMT Cast Iron Sewage/Trash pumps are designed for trouble free and economical handling of solids laden liquids and slurries. Pumps are available in three NPT port sizes: 2", 3" or 4". Cast iron construction with two vane stainless steel self-cleaning impellers, silicon carbide mechanical seals for abrasion resistance and Buna-N O-rings and check valves. Built-in check valve allows pump to reprime automatically in an open system without the foot valve. The solids handling capabilities of the pumps make them ideally suited for a variety of industrial applications including: sewage treatment, canneries, chemical processing, wineries, tanneries, meat packing, breweries, pulp, wood chips, process water, sludge and slime, waste water, white water and other applications. These sewage/trash pumps will easily handle liquids containing sewage, stones, sticks, mud and other solids. Minimum liquid requirement must be above 85% – maximum 15% solids. **Failure to do so may damage pump and void warranty.**



Pump Dimensional & Specification Data

| Model | HP | SUC* | DIS* | A** | B | C** | D | E | F | G | J** | K | L** | W** | H | Ship Wt. (Lbs.) |
|---------|-----|------|------|------------|-----------|------------|------------|------------|------------|-------------|-------------|------------|-------------|-------------|-------------|-----------------|
| 316B-95 | 3 | 2 | 2 | 2.5 [6.3] | 2.1 [5.3] | 3.8 [9.6] | 4.0 [10.1] | 4.8 [12.2] | 3.1 [7.8] | 6.1 [15.4] | 11.1 [28.2] | 2.4 [6.1] | 20.3 [51.5] | 9.3 [23.6] | 8.8 [22.3] | 94 |
| 316A-95 | 3 | 2 | 2 | 2.5 [6.3] | 2.1 [5.3] | 3.8 [9.6] | 4.0 [10.1] | 4.8 [12.2] | 3.1 [7.8] | 6.1 [15.4] | 11.1 [28.2] | 2.4 [6.1] | 19.9 [50.5] | 9.3 [23.6] | 8.8 [22.3] | 87 |
| 393B-95 | 5 | 2 | 2 | 3.8 [9.6] | 2.1 [5.3] | 5.5 [13.9] | 5.2 [13.2] | 4.8 [12.2] | 3.1 [7.8] | 6.9 [17.5] | 14.8 [27.6] | 4.4 [11.1] | 27.4 [69.6] | 13.4 [34.0] | 10.0 [25.4] | 189 |
| 393A-95 | 5 | 2 | 2 | 3.8 [9.6] | 2.1 [5.3] | 5.5 [13.9] | 5.2 [13.2] | 4.8 [12.2] | 3.1 [7.8] | 6.9 [17.5] | 14.8 [27.6] | 4.4 [11.1] | 24.9 [63.2] | 12.3 [31.2] | 10.0 [25.4] | 173 |
| 394H-95 | 7.5 | 3 | 3 | 4.3 [10.9] | 3.5 [8.9] | 5.5 [14.0] | 6.1 [15.5] | 9.0 [22.9] | 8.1 [20.6] | 11.8 [30.0] | 19.0 [48.3] | 3.7 [9.4] | 30.5 [77.5] | 15.5 [39.4] | 15.1 [38.4] | 295 |
| 394G-95 | 7.5 | 3 | 3 | 3.8 [9.7] | 3.5 [8.9] | 5.5 [14.0] | 6.1 [15.5] | 9.0 [22.9] | 8.1 [20.6] | 11.8 [30.0] | 18.3 [46.5] | 3.7 [9.4] | 29.0 [73.7] | 13.5 [34.3] | 15.1 [38.4] | 245 |
| 394K-95 | 10 | 3 | 3 | 4.3 [10.9] | 3.5 [8.8] | 7.0 [17.7] | 6.1 [15.4] | 9.0 [22.8] | 8.1 [20.6] | 11.8 [30.0] | 20.0 [50.8] | 3.7 [9.4] | 33.6 [85.3] | 15.5 [39.4] | 15.1 [38.3] | 360 |
| 394J-95 | 10 | 3 | 3 | 4.3 [10.9] | 3.5 [8.8] | 7.0 [17.7] | 6.1 [15.4] | 9.0 [22.8] | 8.1 [20.6] | 11.8 [30.0] | 20.0 [50.8] | 3.7 [9.4] | 32.7 [83.1] | 14.3 [36.3] | 15.1 [38.3] | 270 |
| 399D-95 | 15 | 4 | 4 | 4.3 [10.9] | 3.5 [8.8] | 7.0 [17.7] | 6.1 [15.4] | 9.0 [22.8] | 8.1 [20.6] | 11.8 [30.0] | 20.0 [50.8] | 3.7 [9.4] | 33.7 [85.6] | 14.3 [36.3] | 15.1 [38.3] | 275 |

(*) Standard NPT (Female) pipe thread.

(**) This dimension may vary due to motor manufacturer's specifications.

NOTE: Dimensions are in inches (centimeters) and have a tolerance of $\pm 1/4"$.

| Model | Curve | HP | PH | ENC | Frame | Voltage @ 60 Hz + | Full Load Amps | Max Solids |
|---------|-------|----|----|------|-------|-------------------|----------------|------------|
| 316B-95 | A | 3 | 1 | TEFC | 56J | 230 | 16 | 1" |
| 316A-95 | | | 3 | | | | | |
| 393B-95 | B | 5 | 1 | TEFC | 184JM | 230 | 20 | 1" |
| 393A-95 | | | 3 | | | | | |
| 394H-95 | C | 7½ | 1 | TEFC | 215JM | 230 | 31 | 1½" |
| 394G-95 | | | 3 | | | | | |
| 394K-95 | D | 10 | 1 | TEFC | 215JM | 230 | 40 | 1½" |
| 394J-95 | | | 3 | | | | | |
| 399D-95 | E | 15 | 3 | TEFC | 215JM | 230/460 | 47/24 | 2" |

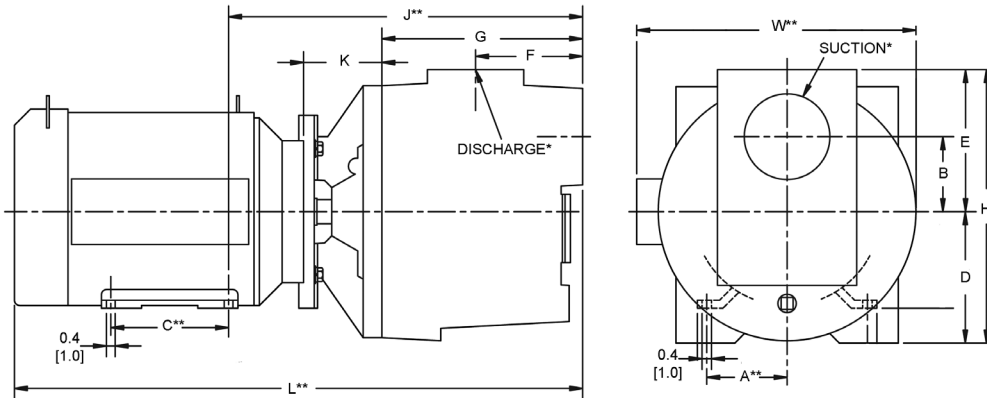
(+) 3-Phase models can also operate on 50 Hz (This will change full load amps and service factor, RPM and priming capabilities).

NOTE: Electric supply for ALL motors must be within $\pm 10\%$ of nameplate voltage rating (e.g. 230V $\pm 10\%$ = 207 to 253).



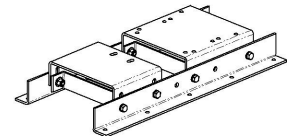
DJ Gongol & Associates, Inc.

PO Box 180 | West Des Moines, IA 50061-0180
4328 North Dawson | Cumming, IA 50061
515-223-4144 | 515-981-0581 fax
info@gongol.net



Standard Features

Optional Mounting Base Model A200-90



- Cast Iron Construction for Abrasive Resistance and Durability
- Silicon Carbide/Viton® Mechanical Seal
- Built-in Buna-N Check Valve
- Buna-N O-ring Casing Seal Reusable After Clean Out Maintenance
- Self-Cleaning Stainless Steel Impeller Resists Clogging and Wear
- Pull-from-Rear Design Permits Clean Out and Repair Without Removing Piping
- 3" & 4" Models Feature Front Cleanout
- Replaceable Cast Iron Volute/Wearplate Designed for Solids Handling
- Motor Includes Stainless Steel Shaft or Stainless Steel Shaft Sleeve
- Available with 3 to 15 HP Totally Enclosed Fan Cooled (TEFC) Electric Motors
- Single or Three Phase, 3450 RPM Motors
- Optional Mounting Base Available for 184/215 JM Frames
- Maximum Working Pressure 150 PSI
- Seal Flush Port Provided on 5 HP and Larger
- Optional Mounting Base Available
- QSP - Quick Ship Pump for Many Models

Hazardous Duty/Xplosion Proof motors available from stock ranging from 1 to 10 HP; CALL FOR QUOTATION & LEAD TIME!