

SUBMERSIBLE SHREDDER SEWAGE PUMPS

Submersible shredder sewage pumps feature an enhanced spiral shredder mechanism plate and carbide-tipped impeller to prevent clogging and reduce maintenance when cutting through stringy, fibrous and sludge-type waste. Applications include sewage pumping stations, septic tanks, sewage treatment plants, dirty water drainage, flood and emergency. Motors are rated continuous duty and single phase models have thermal overload protection.



Model: SH2A3-E1 115/1

FEATURES

- Cast iron w/stainless steel motor housing
- Carbide-tipped shredder impellers
- Spiral shredder mechanism plate surface hardened for enhanced cutting ability
- Triplex seal system: double mechanical seals plus shaft seal
- 115, 230 or 460 VAC at 60 Hz available
- Single or three-phase available
- 2", 3" or 4" NPT discharge
- 1 to 5 horsepower
- Maximum liquid temperature 104° F (40° C)

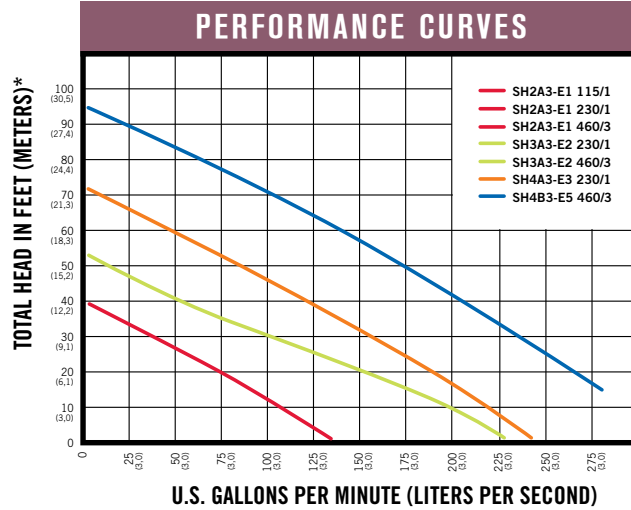
WARNING!
 Do not use in explosive atmosphere or for pumping volatile flammable liquids.

GENERAL INFORMATION

Model	Ship Wt. (Approx.)	Driver Type (HP)	Max. Solids	Dis. (NPT)	Basic Construction	Seal Type & Elastomer/Faces	VAC 60 Hz	Phase	Amps	Motor Housing (RPM)
SH2A3-E1 115/1	50 lbs.	Electric Motor (1)	1" (25 mm)	2"	Cast Iron	Buna-N Carbon/Ceramic Upper, Buna-N Silicon/Silicon Lower	115	1	13.5	Stainless Steel (3450)
SH2A3-E1 230/1	50 lbs.	Electric Motor (1)	1" (25 mm)	2"	Cast Iron	Buna-N Carbon/Ceramic Upper, Buna-N Silicon/Silicon Lower	230	1	6.0	Stainless Steel (3450)
SH2A3-E1 460/3	50 lbs.	Electric Motor (1)	1" (25 mm)	2"	Cast Iron	Buna-N Carbon/Ceramic Upper, Buna-N Silicon/Silicon Lower	460	3	1.5	Stainless Steel (3450)
SH3A3-E2 230/1	82 lbs.	Electric Motor (2)	1-1/8" (28 mm)	3"	Cast Iron	Buna-N Carbon/Ceramic Upper, Buna-N Silicon/Silicon Lower	230	1	12.0	Stainless Steel (3450)
SH3A3-E2 460/3	82 lbs.	Electric Motor (2)	1-1/8" (28 mm)	3"	Cast Iron	Buna-N Carbon/Ceramic Upper, Buna-N Silicon/Silicon Lower	460	3	3.0	Stainless Steel (3450)
SH4A3-E3 230/1	120 lbs.	Electric Motor (3)	1-1/8" (28 mm)	4"	Cast Iron	Buna-N Carbon/Ceramic Upper, Buna-N Silicon/Silicon Lower	230	1	16.0	Stainless Steel (3450)
SH4B3-E5 460/3	110 lbs.	Electric Motor (5)	1-1/4" (31 mm)	4"	Cast Iron	Buna-N Carbon/Ceramic Upper, Buna-N Silicon/Silicon Lower	460	3	7.0	Stainless Steel (3450)

SUBMERSIBLE SHREDDER SEWAGE PUMPS

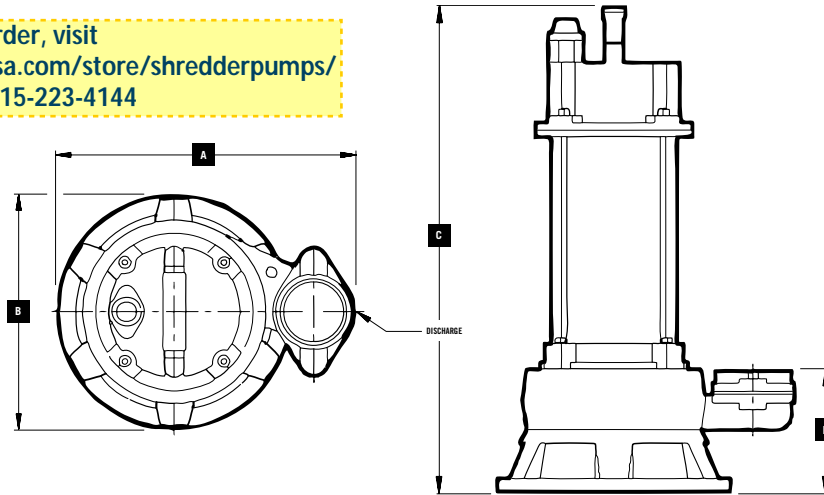
SH SERIES



Curves are based on a specific gravity of 1.0 *To convert to PSI divide by 2.31

MODEL: SH2A3-E1 115/1

To order, visit
<http://www.pumpstoreusa.com/store/shredderpumps/>
 or call 515-223-4144



INCHES (MILLIMETERS)		PUMP DIMENSIONAL DATA				
Model	A	B	C	D	Discharge*	Cord Length
SH2A3-E1 115/1	11.50 (292,10)	8.90 (226,06)	18.50 (469,90)	5.80 (147,32)	2.00	18 ft./(5,5 m)
SH2A3-E1 230/1	11.50 (292,10)	8.90 (226,06)	18.50 (469,90)	5.80 (147,32)	2.00	18 ft./(5,5 m)
SH3A3-E2 230/1	14.00 (355,60)	10.50 (266,70)	21.70 (551,18)	6.60 (167,64)	3.00	32 ft./(9,8 m)
SH4A3-E3 230/1	16.20 (411,48)	10.50 (266,70)	22.90 (581,66)	6.70 (170,18)	4.00	32 ft./(9,8 m)
SH2A3-E1 460/3	11.50 (292,10)	8.90 (226,06)	18.50 (469,90)	5.80 (147,32)	2.00	18 ft./(5,5 m)
SH3A3-E2 460/3	14.00 (355,60)	10.50 (266,70)	17.60 (447,04)	6.60 (167,64)	3.00	32 ft./(9,8 m)
SH4B3-E5 460/3	16.20 (411,48)	10.50 (266,70)	19.70 (500,38)	6.70 (170,18)	4.00	32 ft./(9,8 m)

*Standard NPT Pipe Threads



©2011-2013 The Gorman-Rupp Company. The Gorman-Rupp Company reserves the right to discontinue any model or change specifications at any time without incurring any obligation.

O35-0025