

# MINIMAL SOLIDS-HANDLING, MEDIUM-HEAD, ELECTRIC MOTOR-DRIVEN, SELF-PRIMING CENTRIFUGAL PUMPS

Gorman-Rupp self-priming centrifugal pumps are designed for use in dewatering or transfer of liquids containing mild solids. 1-1/4" and 1-1/2" NPT port sizes available with single or three-phase motors with horsepowers from 1/3 to 1.

All models are self-priming and are equipped with Viton® seals with carbon and Ni-resist faces capable of handling liquids with temperatures to 160° F. Maximum operating pressure to 47 psi.



Model: 81 1/2D3-E.50 1P



## FEATURES

- Cast iron construction
- Viton® seals with carbon/Ni-resist faces
- 1-1/4" and 1-1/2" NPT port sizes
- Self-priming to 20 ft. (6,1 m) lift
- Maximum operating pressure to 47 psi (3,2 bar)
- Maximum temperature 160° F (71° C)
- Copper alloy impeller
- Solids-handling up to 9/32" (7 mm) diameter
- 1/3 to 1 hp single and three-phase 3450 rpm motors
- Carry handle available on single-phase models

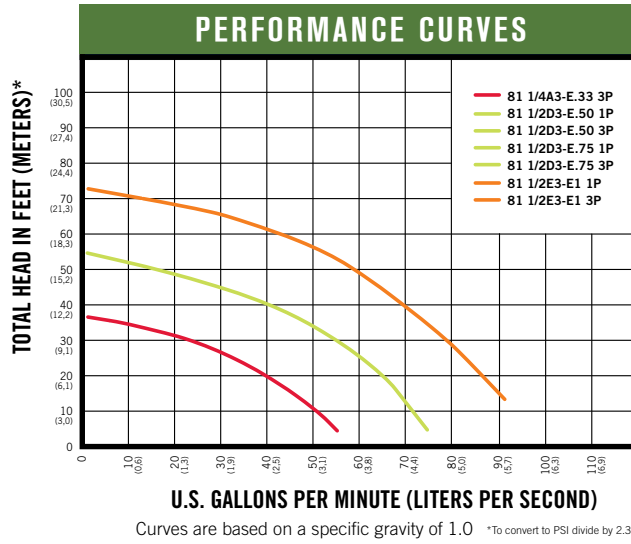
## GENERAL INFORMATION

Model	Ship Wt. (Approx.)	Driver Type (HP)	Max. Solids	Suc. x Dis. (NPT)	Basic Construction	Seal Type & Elastomer/Faces	VAC 60 Hz	Phase	Amps	Motor Enclosure (RPM)
81 1/4A3-E.33 3P	47 lbs.	Electric Motor (1/3)	1/4" (6 mm)	1-1/4" x 1-1/4"	Cast Iron	Viton® Carbon/Ni-resist	230/460	3	2.6/1.3	ODP (3450)
81 1/2D3-E.50 1P*	61 lbs.	Electric Motor (1/2)	9/32" (7 mm)	1-1/2" x 1-1/2"	Cast Iron	Viton® Carbon/Ni-resist	115/230	1	7.6/3.8	ODP (3450)
81 1/2D3-E.50 3P	61 lbs.	Electric Motor (1/2)	9/32" (7 mm)	1-1/2" x 1-1/2"	Cast Iron	Viton® Carbon/Ni-resist	230/460	3	2.0/1.0	ODP (3450)
81 1/2D3-E.75 1P*	70 lbs.	Electric Motor (3/4)	9/32" (7 mm)	1-1/2" x 1-1/2"	Cast Iron	Viton® Carbon/Ni-resist	115/230	1	9.8/4.9	ODP (3450)
81 1/2D3-E.75 3P	70 lbs.	Electric Motor (3/4)	9/32" (7 mm)	1-1/2" x 1-1/2"	Cast Iron	Viton® Carbon/Ni-resist	230/460	3	3.2/1.6	ODP (3450)
81 1/2E3-E1 1P*	65 lbs.	Electric Motor (1)	1/4" (6 mm)	1-1/2" x 1-1/2"	Cast Iron	Viton® Carbon/Ni-resist	115/230	1	12.0/6.0	ODP (3450)
81 1/2E3-E1 3P	65 lbs.	Electric Motor (1)	1/4" (6 mm)	1-1/2" x 1-1/2"	Cast Iron	Viton® Carbon/Ni-resist	230/460	3	3.7/1.85	ODP (3450)

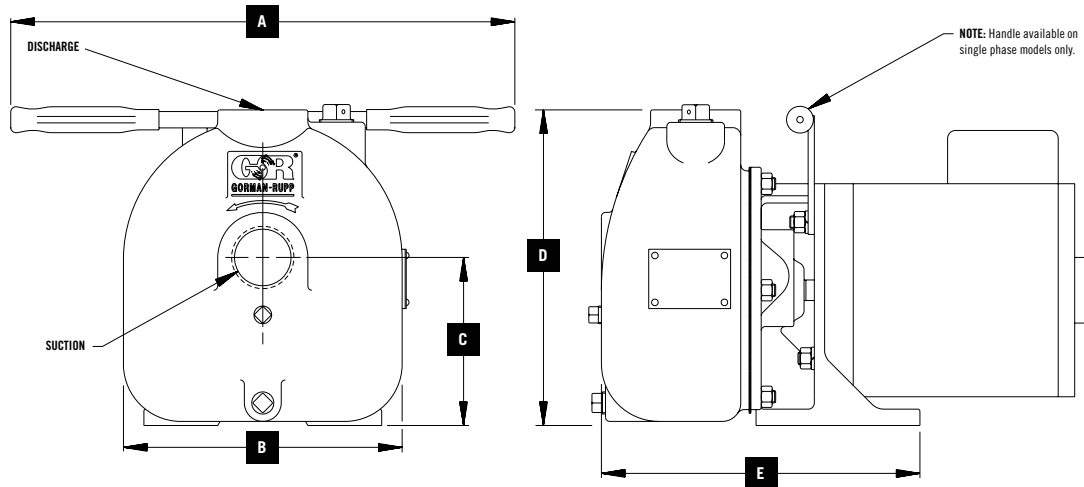
\*Models equipped with a carry handle. \*Viton® is a registered trademark of DuPont.

# MINIMAL SOLIDS-HANDLING, MEDIUM-HEAD, ELECTRIC MOTOR-DRIVEN, SELF-PRIMING CENTRIFUGAL PUMPS

80 SERIES ELECTRIC



## MODEL: 81 1/2D3 E.50 1P



INCHES (MILLIMETERS)		PUMP DIMENSIONAL DATA					
Model	A	B	C	D	E	Suction*	Discharge*
81 1/4A3-E.33 3P	N/A	8.00 (203,2)	4.75 (120,7)	8.00 (203,2)	9.16 (232,7)	1.25	1.25
81 1/2D3-E.50 1P	15.12 (384,00)	8.50 (215,9)	5.12 (130,00)	9.63 (244,60)	9.71 (246,60)	1.50	1.50
81 1/2D3-E.50 3P	N/A	8.50 (215,9)	5.12 (130,00)	9.63 (244,60)	9.71 (246,60)	1.50	1.50
81 1/2D3-E.75 1P	15.12 (384,00)	8.50 (215,9)	5.12 (130,00)	9.63 (244,60)	9.71 (246,60)	1.50	1.50
81 1/2D3-E.75 3P	N/A	8.50 (215,9)	5.12 (130,00)	9.63 (244,60)	9.71 (246,60)	1.50	1.50
81 1/2E3-E1 1P	15.12 (384,00)	8.50 (215,9)	5.12 (130,00)	9.63 (244,60)	9.71 (246,60)	1.50	1.50
81 1/2E3-E1 3P	N/A	8.50 (215,9)	5.12 (130,00)	9.63 (244,60)	9.71 (246,60)	1.50	1.50



To order, visit <http://www.pumpstoreusa.com/store/utilitypumps> or call 515-223-4144

©2011-2013 The Gorman-Rupp Company. The Gorman-Rupp Company reserves the right to discontinue any model or change specifications at any time without incurring any obligation.

\*Standard NPT Pipe Threads

O25-0015