

A B E G Q



Self Priming Centrifugal Pump

Models 03H1-GL, 03H1-GR, 03H3-GL and 03H3-GR

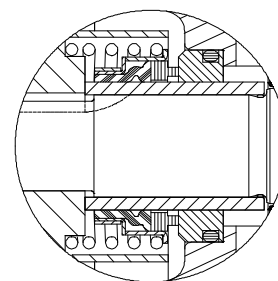
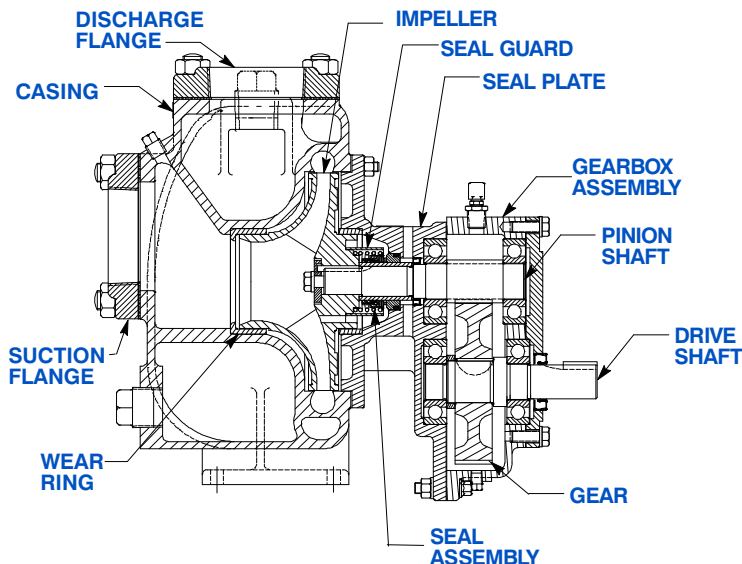
Size 3" x 3"

PUMP SPECIFICATIONS

- Size:** 3" x 3" (76 mm x 76 mm) NPT - Female.
- Casing:** (03H1) Aluminum Alloy 356-T6.
(03H3) Ductile Iron 60-40-18.
Maximum Operating Pressure 176 psi (1214 kPa).*
- Enclosed Type, Five Vane Impeller:** Aluminum Alloy 356-T6
Handles 7/16" (11,1 mm) Diameter Spherical Solids.
- Pinion Shaft:** Alloy Steel 4150.
- Shaft Sleeve:** Alloy Steel 4130.
- Replaceable Wear Ring:** Copper Alloy C93200.
- Seal Plate:** (03H1) Gray Iron 30.
(03H3) Ductile Iron 60-40-18.
- Seal Guard:** Copper Alloy C26000.
- Gearbox Housing:** Gray Iron 30.
- Gearbox Lubrication:** SAE 90 Gear Oil.
- Gear:** Alloy Steel 4620.
- Gear Ratio:** 4.09:1 Increase.
- Bearings:** Open Single Row Ball.
- Flanges:** (03H1) Aluminum Alloy 356-T6.
(03H3) Ductile Iron 60-40-18.
- Gaskets:** Cork ^w/Nitrile and Vegetable Fiber.
- O-Rings:** Buna-N.
- Hardware:** Standard Plated Steel.
- Optional Equipment:** Victaulic[®] Suction and Discharge Flanges.
Horizontal Victaulic[®] Discharge Flange.
Victaulic[®] is a Registered Trademark of Victaulic Company of America.



**Consult Factory for Applications Exceeding Maximum Pressure and/or Temperature Indicated.*



SEAL DETAIL

Type 2, Mechanical, Self-Lubricated. Carbon Rotating Face. Ni-Resist Stationary Face. Fluorocarbon Elastomers (DuPont Viton[®] or Equivalent). Stainless Steel 18-8 Cage and Spring. Maximum Temperature of Liquid Pumped, 160°F (71°C).*



THE GORMAN-RUPP COMPANY • MANSFIELD, OHIO

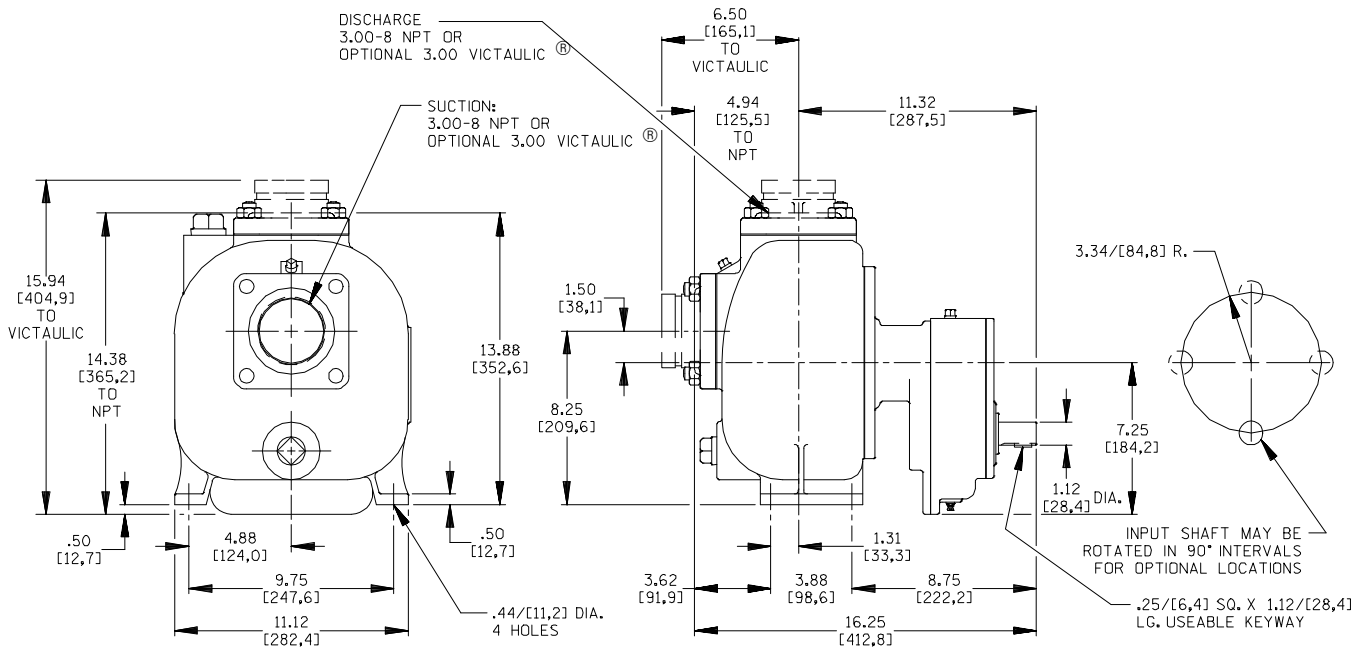
GORMAN-RUPP OF CANADA LIMITED • ST. THOMAS, ONTARIO, CANADA

www.grpumps.com

Specifications Subject to Change Without Notice

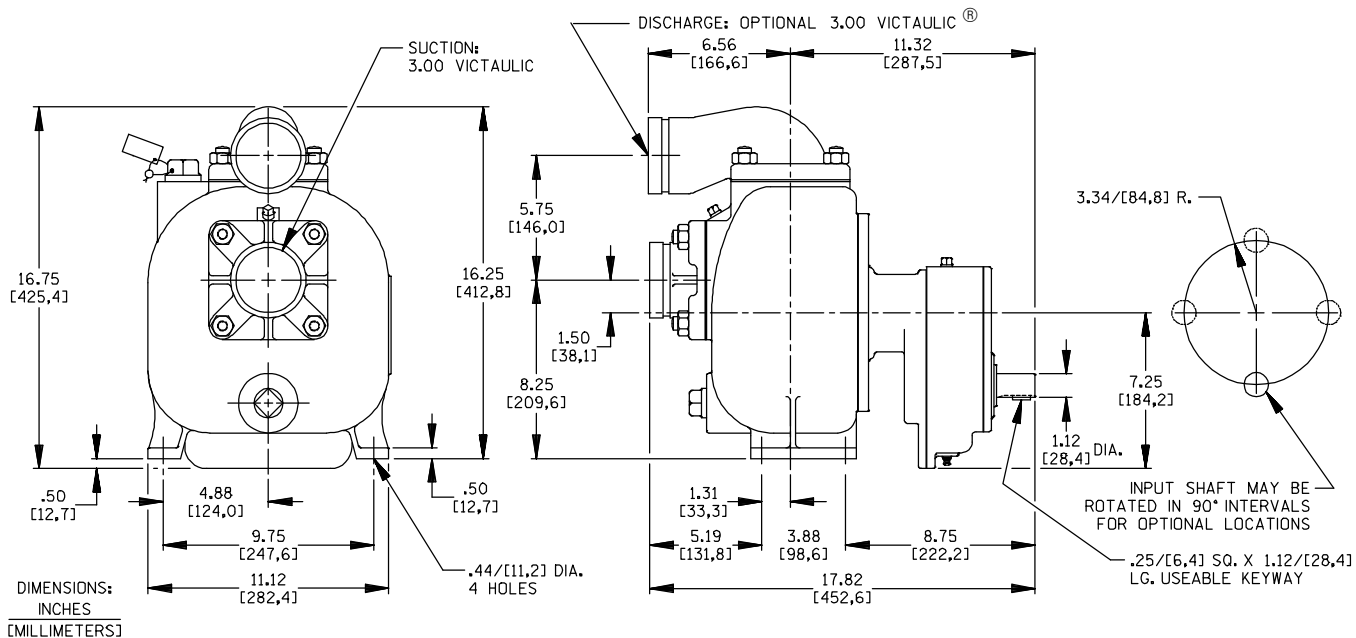
Printed in U.S.A.

Specification Data	APPROXIMATE DIMENSIONS and WEIGHTS	NET WEIGHT:	03H1-GL & 03H1-GR 68 LBS. (33,5 KG.)	03H3-GL & 03H1-GR 104 LBS. (47,1 KG.)
		SHIPPING WEIGHT:	78 LBS. (39,4 KG.)	114 LBS. (51,7 KG.)
SECTION 110, PAGE 600		EXPORT CRATE SIZE:	3.5 CU. FT. (0,10 CU. M.)	



Victaulic® is a Registered Trademark of Victaulic Company of America.

NOTE:
INPUT SHAFT ROTATION CLOCKWISE FOR MODELS 03H-GR.
INPUT SHAFT ROTATION COUNTER-CLOCKWISE FOR MODEL 03H-GL.



DIMENSIONS:
INCHES
[MILLIMETERS]

Shown with Optional Horizontal Victaulic® Elbow.

NOTE:
INPUT SHAFT ROTATION CLOCKWISE FOR MODELS 03H-GR.
INPUT SHAFT ROTATION COUNTER-CLOCKWISE FOR MODEL 03H-GL.
DISCHARGE ELBOW MAY BE ROTATED TO FRONT (AS SHOWN), REAR, OR TO SIDE OPPOSITE FILL PLUG.

Victaulic® is a Registered Trademark of Victaulic Company of America.



THE GORMAN-RUPP COMPANY • MANSFIELD, OHIO

GORMAN-RUPP OF CANADA LIMITED • ST. THOMAS, ONTARIO, CANADA

Specifications Subject to Change Without Notice

Printed in U.S.A.

Curve Data

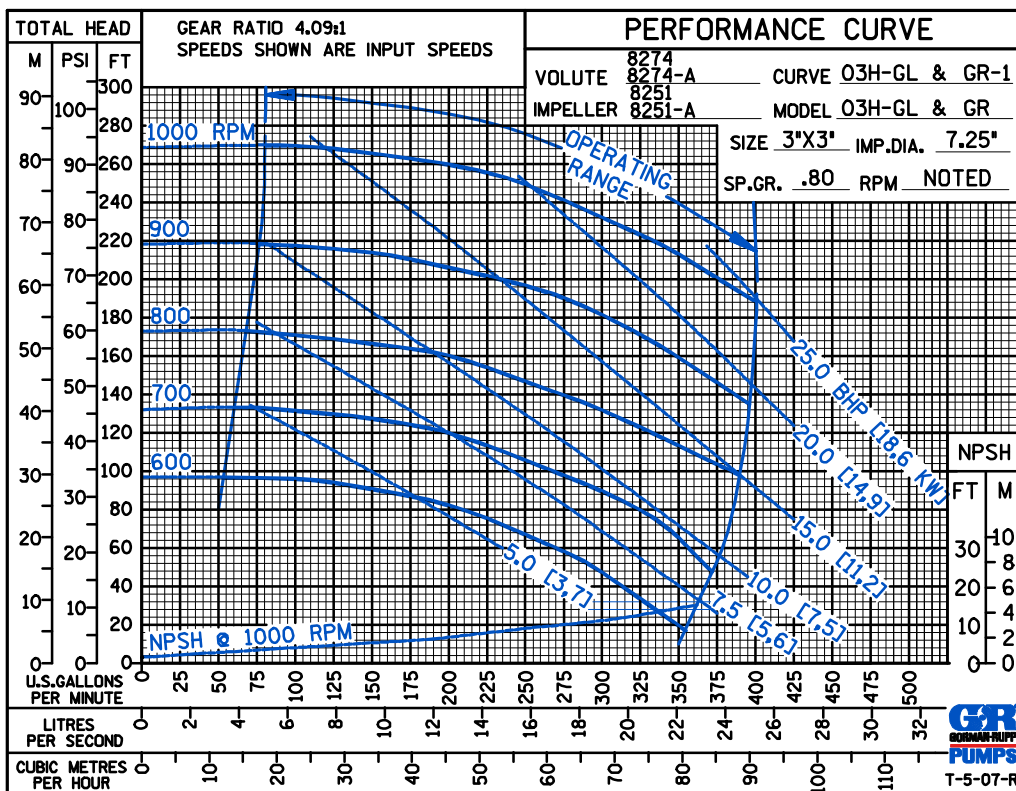
Sec. 110

PAGE 600.1

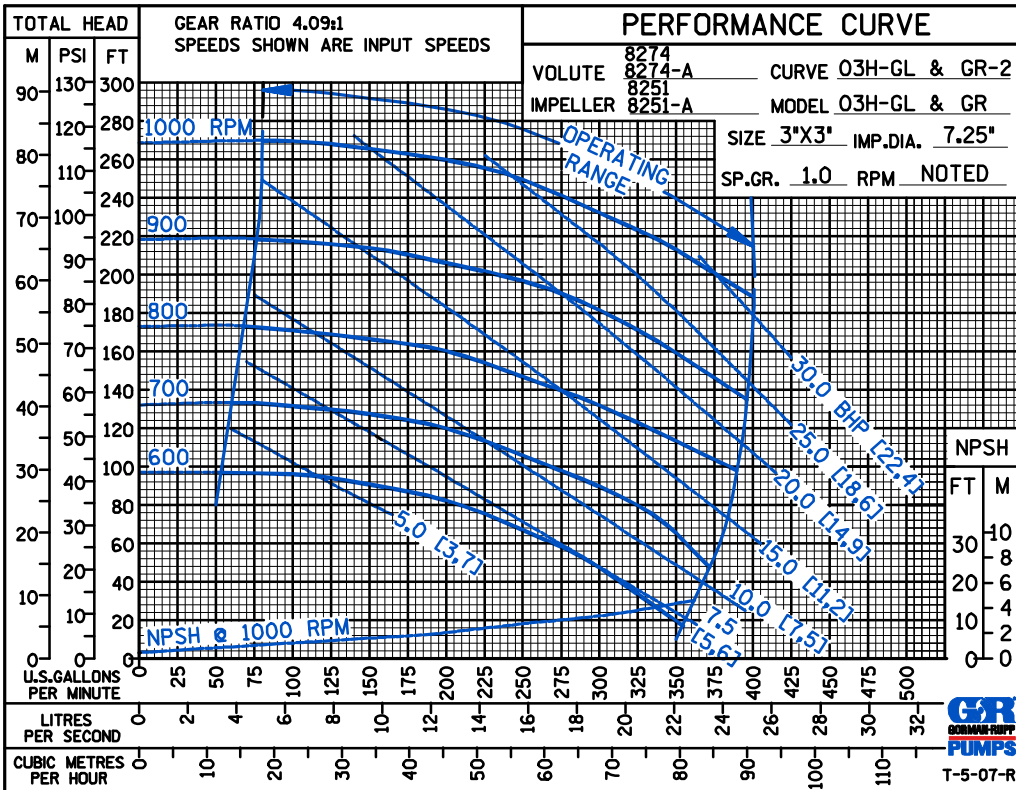
JULY 2012

A B E G Q

PERFORMANCE
BASED ON
PETROLEUM



PERFORMANCE
BASED ON
WATER



THE GORMAN-RUPP COMPANY • MANSFIELD, OHIO

GORMAN-RUPP OF CANADA LIMITED • ST. THOMAS, ONTARIO, CANADA

Specifications Subject to Change Without Notice

Printed in U.S.A.