

### The Simple, Reliable Way to Disinfect Wastewater

The Exceltec International Corporation (EIC) Model 200 Tablet Feeder is a complete, one-piece system for highly reliable disinfection of effluent in properly operating treatment plants having a design capacity of 1,500 GPD or less. The tablet feeder is used in conjunction with SANURIL® tablets, a disinfecting agent that provides a chemically stable source of chlorine for wastewater disinfection.

The EIC Tablet feeder is suitable for assembly into new treatment systems. Also, it can be installed into existing treatment facilities where wastewater chlorination is being added or *to replace troublesome, unreliable or complicated chlorination systems.*

### Superior Performance at a Lower Cost

#### Better Performance

The entire plant flow passes through the tablet feeder where thorough mixing of wastewater with a controlled amount of chlorine takes place. This means more effective disinfection action and less bacteria re-growth.

#### Low Initial Cost

In addition to low investment in the EIC Tablet Feeder, savings are compounded because no pumps, mixing tanks or costly control devices are required as with most other chlorination systems.

#### Simple, Low-Cost Installation

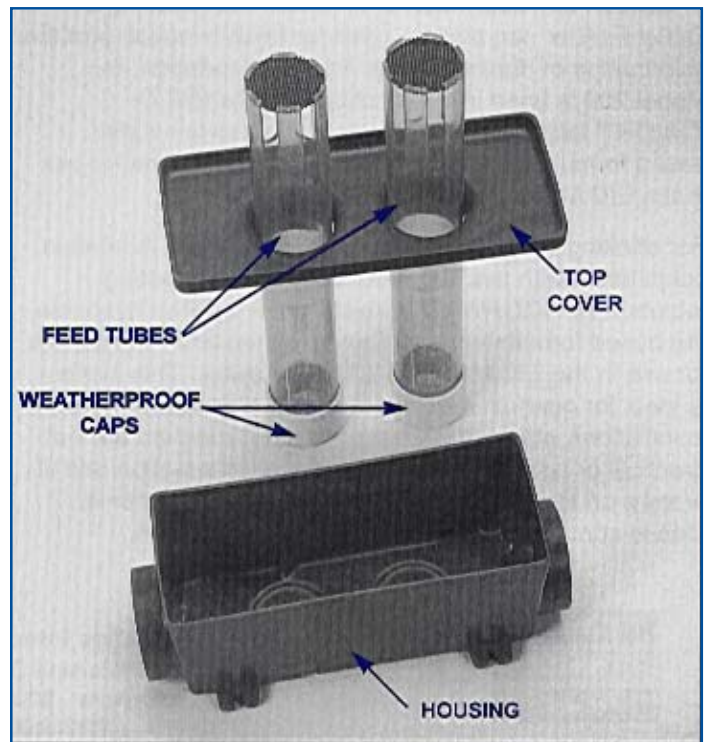
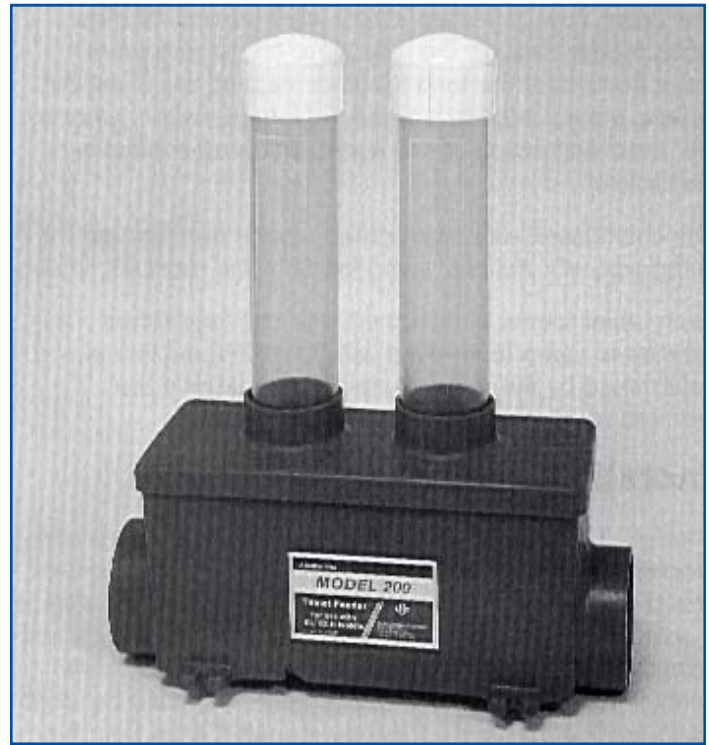
One piece tablet feeder construction requires only inlet piping. No electrical power, wiring, bypasses, or other piping required.

#### Lower Operating Costs

The tablet feeder can operate up to 60 days on a single load of tablets. No time-consuming pre-mixing of chemicals is required. Refilling SANURIL tablets is quick and easy. No costs for electrical power or auxiliary power.

#### Maintenance-Free Operation

No tanks, pumps, cylinders, external control devices or other moving parts to break down. System is non-mechanical, rust and corrosion proof.



### Operating Principle

The EIC Tablet Feeder is a one-piece system which operates on the flow-through principle to provide a constant, controlled dosage of chlorine to the effluent of wastewater treatment plants.

The entire flow of treated wastewater passes into the tablet feeder through the inlet pipe. As the stream of water flows past the feed tubes containing the SANURIL tablets, active chlorine is released into the wastewater by the dissolving action of the water stream in contact with the tablets.

The chlorinated wastewater then discharges through the outlet pipe into the line which leads to the receiving water.

Each tablet feeder is furnished with two feed tubes. The number of tubes to be filled with SANURIL tablets is determined by the average daily flow rate and the required residual chlorine content or dosage.

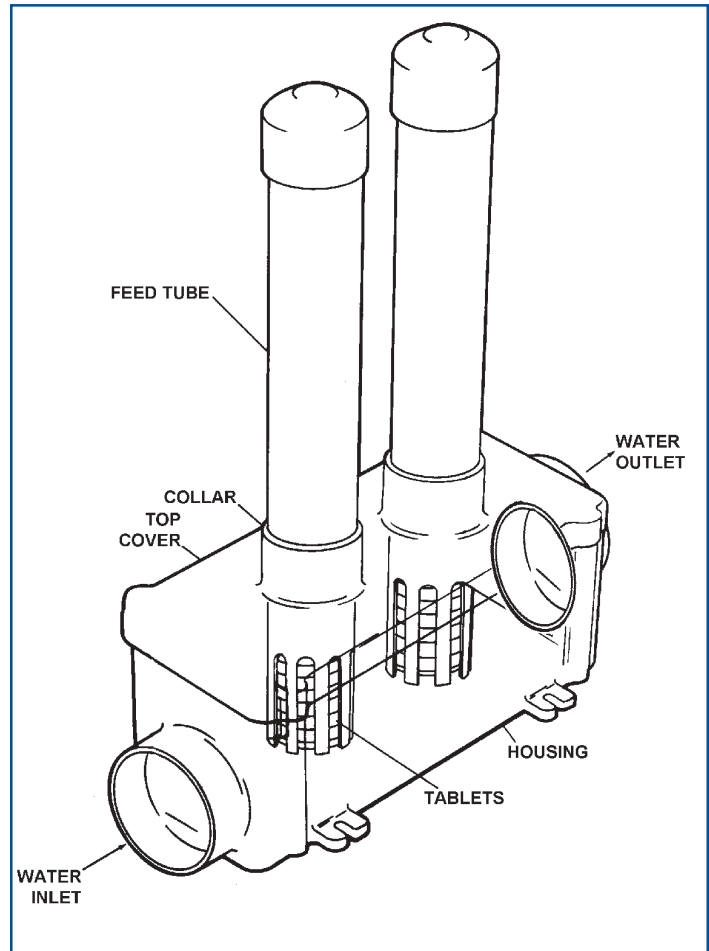
### Installation

The EIC Tablet Feeder is designed for installation in any properly operating treatment system having a maximum flow of 1,500 GPD. The tablet feeder should be located at a point where it can receive the entire effluent discharged from the plant. It is also recommended that a chlorine contact tank be used. The tablet feeder can also be located to receive the treated wastewater as it exits from the filter bed.

### Other Applications

In addition to wastewater chlorination, the Model 200 Tablet Feeder can also be used for dechlorination and the chlorination of drinking water. For dechlorination, the Model 200 is used in conjunction with the EIC D-CHLOR™ tablets. These tablets are a sodium sulfite based formulation having compatible dimensions for use in the EIC Model 200 Tablet Feeder.

For drinking water chlorination, the Model 200 is used in conjunction with the EIC AQUAWARD® chlorinating tablets. The AQUAWARD tablets are a calcium hypochlorite based formulation also having dimensions compatible for use in the EIC Model 200 Tablet Feeder. This system is ideal for open channel flow operation and/or remote installations where other methods of disinfection are not practical or economical. For additional information and literature on the D-CHLOR and AQUAWARD Systems, please contact the Chemicals Sales Department.



### Specifications

The tablet feeder is made of tough, corrosion resistant rotomolded polyethylene. Compact and easy to handle, the tablet feeder measures 21 inches long, 8 inches wide and 10 inches deep. The feed tubes are 24 inches long with an outside diameter of 3 1/2 inches. Each tube holds 29 SANURIL tablets which measure 2-5/8 inches in diameter and are 13/16 inch thick. Inlet and outlet size is 4 inches in diameter.